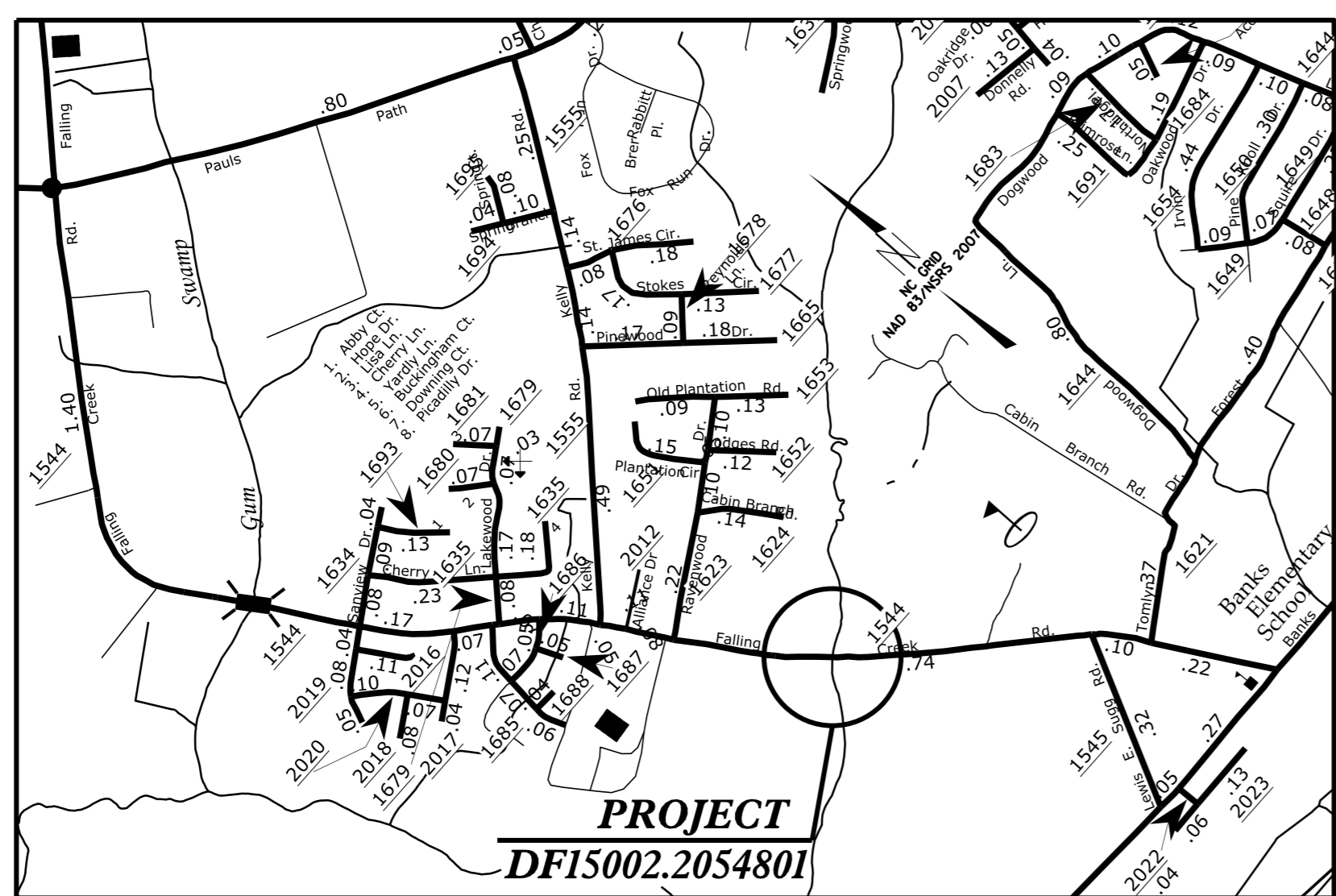


PROJECT: DF15002.2054801

CONTRACT: DB00322



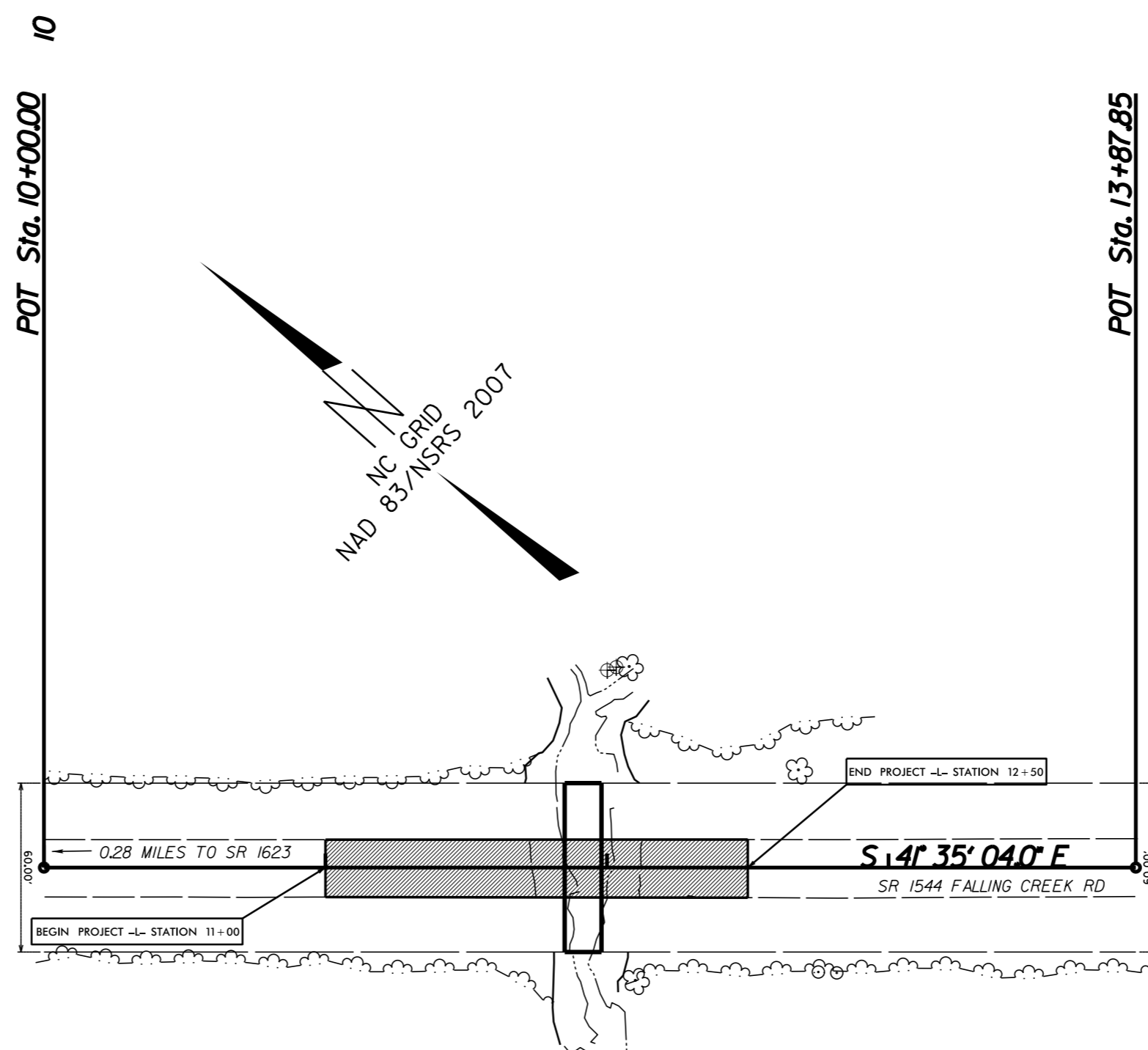
See Sheet 1-A For Index of Sheets

STATE OF NORTH CAROLINA
DIVISION OF HIGHWAYS

LENOIR COUNTY

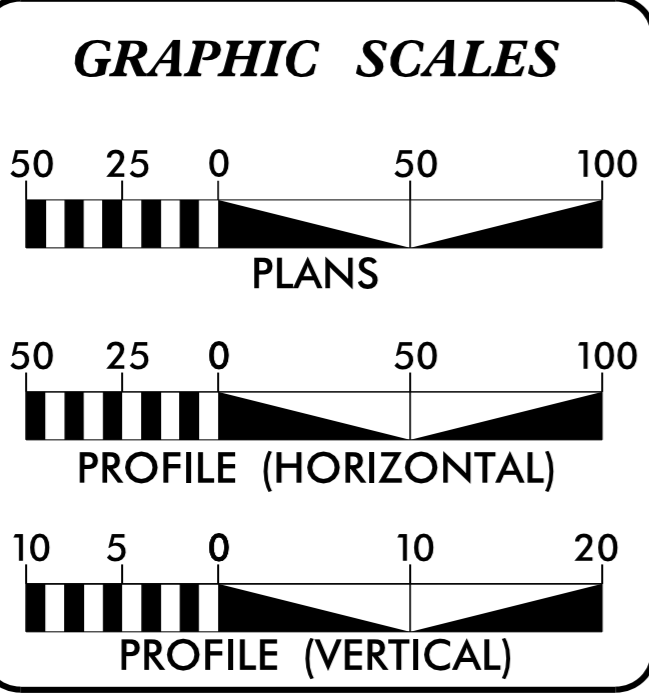
**LOCATION: FALLEN CREEK RD (SR 1544)
0.28 MILES FROM RAVENWOOD DR (SR 1623)**

TYPE OF WORK: PIPE REPLACEMENT, PAVING AND GRADING.



STATE	STATE PROJECT REFERENCE NO.	SHEET NO.	TOTAL SHEETS
N.C.	DF15002.2054801	1	
STATE PROJ. NO.	F.A. PROJ. NO.	DESCRIPTION	

DOCUMENT NOT CONSIDERED FINAL
UNLESS ALL SIGNATURES COMPLETED



PROJECT LENGTH = 0.028 MILES

Prepared in the Office of:
DIVISION OF HIGHWAYS
1701 West Fifth St., Washington NC, 27889

2012 STANDARD SPECIFICATIONS

RIGHT OF WAY DATE: WILLIAM C KINCANNON, PE
PROJECT ENGINEER

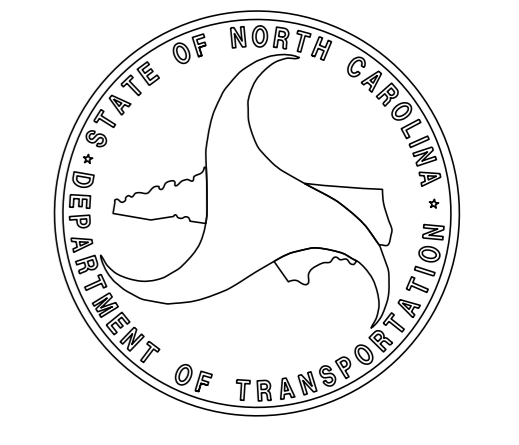
LETTING DATE: LANG JONES
PROJECT DESIGN ENGINEER
DECEMBER 2016

HYDRAULICS ENGINEER

DocuSigned by:
William C Kincannon 11/23/2016
SIGNATURE:

ROADWAY DESIGN ENGINEER

DocuSigned by:
William C Kincannon 11/23/2016
SIGNATURE:



REVISIONS

INDEX OF SHEETS

- 1 TITLE SHEET
- 1A INDEX OF SHEETS, GENERAL NOTES, STANDARD DRAWINGS
- 1B CONVENTIONAL SYMBOLS
- 2 TYPICAL SECTIONS
- 3 SUMMARY OF QUANTITIES
- 3A SUMMARY OF DRAINAGE AND EARTHWORK QUANTITIES
- 4 PLAN SHEET
- EC1-EC4 EROSION CONTROL SHEETS
- X1A CROSS-SECTION SUMMARY
- X1 CROSS-SECTIONS

GENERAL NOTES:

2012 SPECIFICATIONS
EFFECTIVE: 01-17-2012
REVISED: 07-30-2012

GRADING AND SURFACING OR RESURFACING:

THE GRADE LINES SHOWN ON CROSS SECTIONS DENOTE THE EXISTING ELEVATION OF PORTION OF ROAD TO BE REPAIRED
GRADE LINES MAY BE ADJUSTED BY THE ENGINEER IN ORDER TO SECURE A PROPER TIE-IN.

CLEARING:

CLEARING ON THIS PROJECT SHALL BE PERFORMED TO THE LIMITS ESTABLISHED BY METHOD II.

SUBSURFACE PLANS:

NO SUBSURFACE PLANS ARE AVAILABLE ON THIS PROJECT. THE CONTRACTOR SHOULD MAKE HIS OWN INVESTIGATION AS TO THE SUBSURFACE CONDITIONS.

UTILITIES:

UTILITY OWNERS ON THIS PROJECT ARE GREENVILLE UTILITIES CORPORATION.

ANY RELOCATION OF EXISTING UTILITIES WILL BE ACCOMPLISHED BY OTHERS, EXCEPT AS SHOWN ON THE PLANS.

RIGHT-OF-WAY MARKERS:

ALL RIGHT-OF-WAY MARKERS ON THIS PROJECT SHALL BE PLACED BY OTHERS.

2012 ROADWAY ENGLISH STANDARD DRAWINGS

The following Roadway Standards as appear in "Roadway Standard Drawings" Highway Design Branch - N. C. Department of Transportation - Raleigh, N. C., Dated January, 2012 are applicable to this project and by reference hereby are considered a part of these plans:

STD. NO.	TITLE
DIVISION 2 - EARTHWORK	
200.02	Method of Clearing - Method II
225.02	Guide for Grading Subgrade - Secondary and Local
DIVISION 3 - PIPE CULVERTS	
300.01	Method of Pipe Installation

STATE OF NORTH CAROLINA, DIVISION OF HIGHWAYS CONVENTIONAL PLAN SHEET SYMBOLS

Note: Not to Scale

*S.U.E. = Subsurface Utility Engineering

BOUNDARIES AND PROPERTY:

State Line	-----
County Line	-----
Township Line	-----
City Line	-----
Reservation Line	-----
Property Line	-----
Existing Iron Pin	○ EIP
Property Corner	-----
Property Monument	□ EDM
Parcel/Sequence Number	⑫③
Existing Fence Line	-x-x-x-
Proposed Woven Wire Fence	○
Proposed Chain Link Fence	□
Proposed Barbed Wire Fence	◇
Existing Wetland Boundary	----- WLB
Proposed Wetland Boundary	----- WLB
Existing Endangered Animal Boundary	----- EAB
Existing Endangered Plant Boundary	----- EPB
Existing Historic Property Boundary	----- HPB
Known Contamination Area: Soil	-----
Potential Contamination Area: Soil	-----
Known Contamination Area: Water	-----
Potential Contamination Area: Water	-----
Contaminated Site: Known or Potential	☠ ?

BUILDINGS AND OTHER CULTURE:

Gas Pump Vent or U/G Tank Cap	○
Sign	○ S
Well	○ W
Small Mine	✕
Foundation	□
Area Outline	□
Cemetery	□
Building	□
School	□
Church	□
Dam	□

HYDROLOGY:

Stream or Body of Water	-----
Hydro, Pool or Reservoir	-----
Jurisdictional Stream	----- JS
Buffer Zone 1	----- BZ 1
Buffer Zone 2	----- BZ 2
Flow Arrow	←
Disappearing Stream	-----
Spring	○
Wetland	-----
Proposed Lateral, Tail, Head Ditch	-----
False Sump	-----

RAILROADS:

Standard Gauge	-----
RR Signal Milepost	○ MILEPOST 35
Switch	□ SWITCH
RR Abandoned	-----
RR Dismantled	-----

RIGHT OF WAY:

Baseline Control Point	◆
Existing Right of Way Marker	△
Existing Right of Way Line	-----
Proposed Right of Way Line	-----
Proposed Right of Way Line with Iron Pin and Cap Marker	-----
Proposed Right of Way Line with Concrete or Granite R/W Marker	-----
Proposed Control of Access Line with Concrete CA Marker	-----
Existing Control of Access	-----
Proposed Control of Access	-----
Existing Easement Line	----- E
Proposed Temporary Construction Easement	----- E
Proposed Temporary Drainage Easement	----- TDE
Proposed Permanent Drainage Easement	----- PDE
Proposed Permanent Drainage / Utility Easement	----- DUE
Proposed Permanent Utility Easement	----- PUE
Proposed Temporary Utility Easement	----- TUE
Proposed Aerial Utility Easement	----- AUE
Proposed Permanent Easement with Iron Pin and Cap Marker	◆

ROADS AND RELATED FEATURES:

Existing Edge of Pavement	-----
Existing Curb	-----
Proposed Slope Stakes Cut	----- C
Proposed Slope Stakes Fill	----- F
Proposed Curb Ramp	----- CR
Existing Metal Guardrail	-----
Proposed Guardrail	-----
Existing Cable Guiderail	-----
Proposed Cable Guiderail	-----
Equality Symbol	⊕
Pavement Removal	-----

VEGETATION:

Single Tree	☼
Single Shrub	☼
Hedge	-----
Woods Line	-----

Orchard	☼ ☼ ☼ ☼
Vineyard	□ Vineyard

EXISTING STRUCTURES:

MAJOR:	
Bridge, Tunnel or Box Culvert	----- CONC
Bridge Wing Wall, Head Wall and End Wall	----- CONC WW
MINOR:	
Head and End Wall	----- CONC HW
Pipe Culvert	-----
Footbridge	-----
Drainage Box: Catch Basin, DI or JB	□ CB
Paved Ditch Gutter	-----
Storm Sewer Manhole	○ S
Storm Sewer	----- S

UTILITIES:

POWER:	
Existing Power Pole	●
Proposed Power Pole	○
Existing Joint Use Pole	●
Proposed Joint Use Pole	○
Power Manhole	⊕
Power Line Tower	⊠
Power Transformer	⊠
U/G Power Cable Hand Hole	○
H-Frame Pole	●
U/G Power Line LOS B (S.U.E.*)	----- P
U/G Power Line LOS C (S.U.E.*)	----- P
U/G Power Line LOS D (S.U.E.*)	----- P

TELEPHONE:

Existing Telephone Pole	●
Proposed Telephone Pole	○
Telephone Manhole	⊕
Telephone Pedestal	⊠
Telephone Cell Tower	⊠
U/G Telephone Cable Hand Hole	○
U/G Telephone Cable LOS B (S.U.E.*)	----- T
U/G Telephone Cable LOS C (S.U.E.*)	----- T
U/G Telephone Cable LOS D (S.U.E.*)	----- T
U/G Telephone Conduit LOS B (S.U.E.*)	----- TC
U/G Telephone Conduit LOS C (S.U.E.*)	----- TC
U/G Telephone Conduit LOS D (S.U.E.*)	----- TC
U/G Fiber Optics Cable LOS B (S.U.E.*)	----- T FO
U/G Fiber Optics Cable LOS C (S.U.E.*)	----- T FO
U/G Fiber Optics Cable LOS D (S.U.E.*)	----- T FO

WATER:

Water Manhole	⊕
Water Meter	○
Water Valve	⊗
Water Hydrant	⊕
U/G Water Line LOS B (S.U.E.*)	----- W
U/G Water Line LOS C (S.U.E.*)	----- W
U/G Water Line LOS D (S.U.E.*)	----- W
Above Ground Water Line	----- A/G Water

TV:

TV Pedestal	⊠
TV Tower	⊗
U/G TV Cable Hand Hole	○
U/G TV Cable LOS B (S.U.E.*)	----- TV
U/G TV Cable LOS C (S.U.E.*)	----- TV
U/G TV Cable LOS D (S.U.E.*)	----- TV
U/G Fiber Optic Cable LOS B (S.U.E.*)	----- TV FO
U/G Fiber Optic Cable LOS C (S.U.E.*)	----- TV FO
U/G Fiber Optic Cable LOS D (S.U.E.*)	----- TV FO

GAS:

Gas Valve	◇
Gas Meter	⊕
U/G Gas Line LOS B (S.U.E.*)	----- G
U/G Gas Line LOS C (S.U.E.*)	----- G
U/G Gas Line LOS D (S.U.E.*)	----- G
Above Ground Gas Line	----- A/G Gas

SANITARY SEWER:

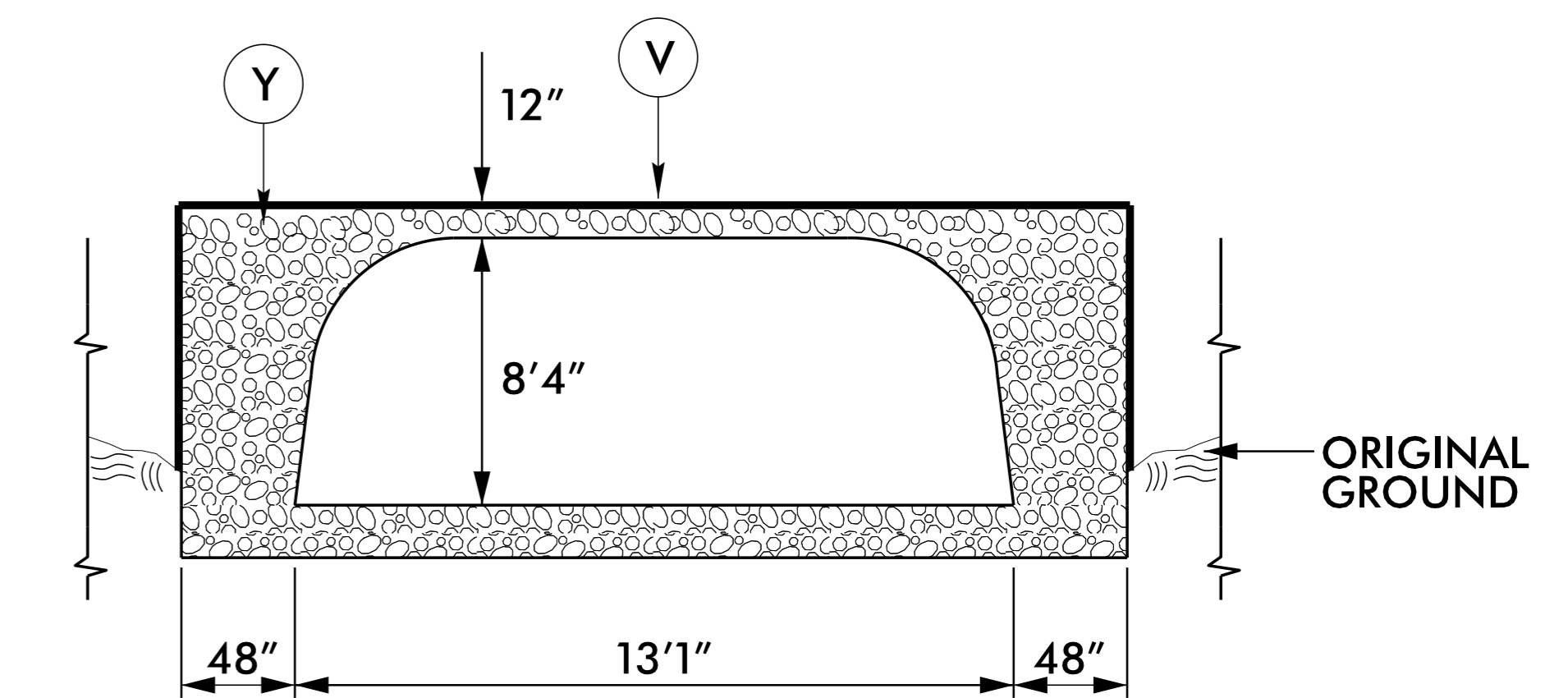
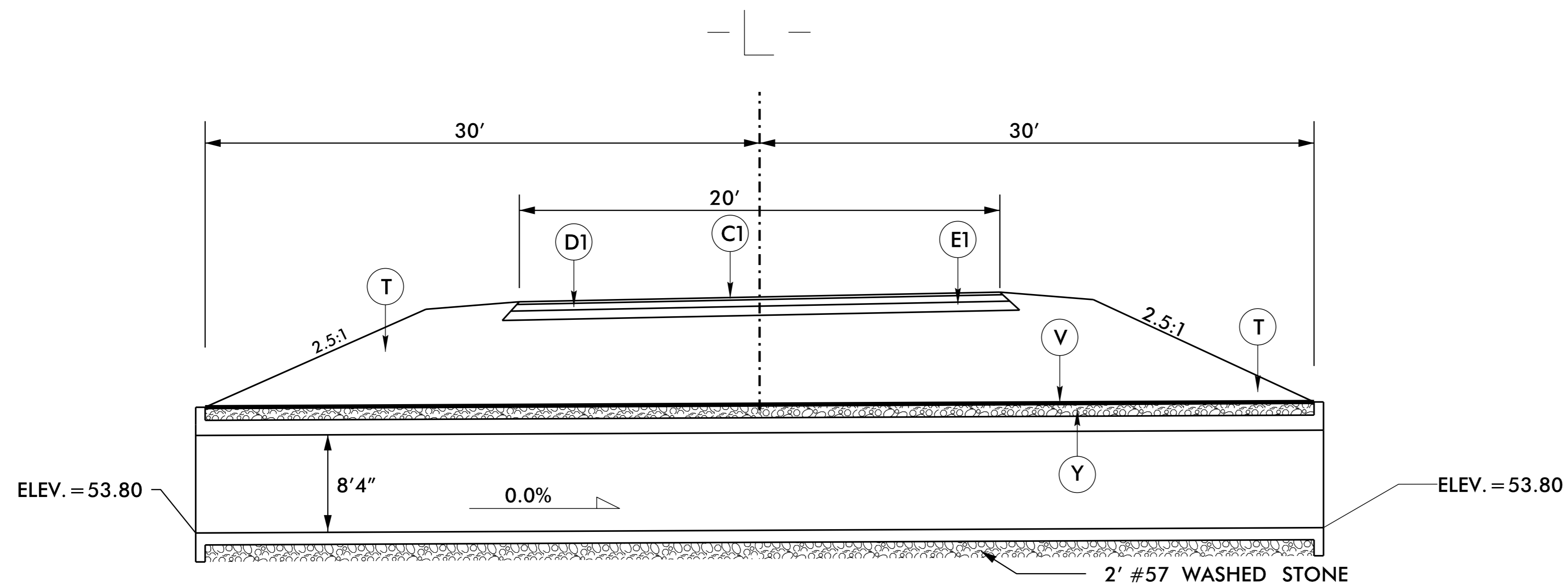
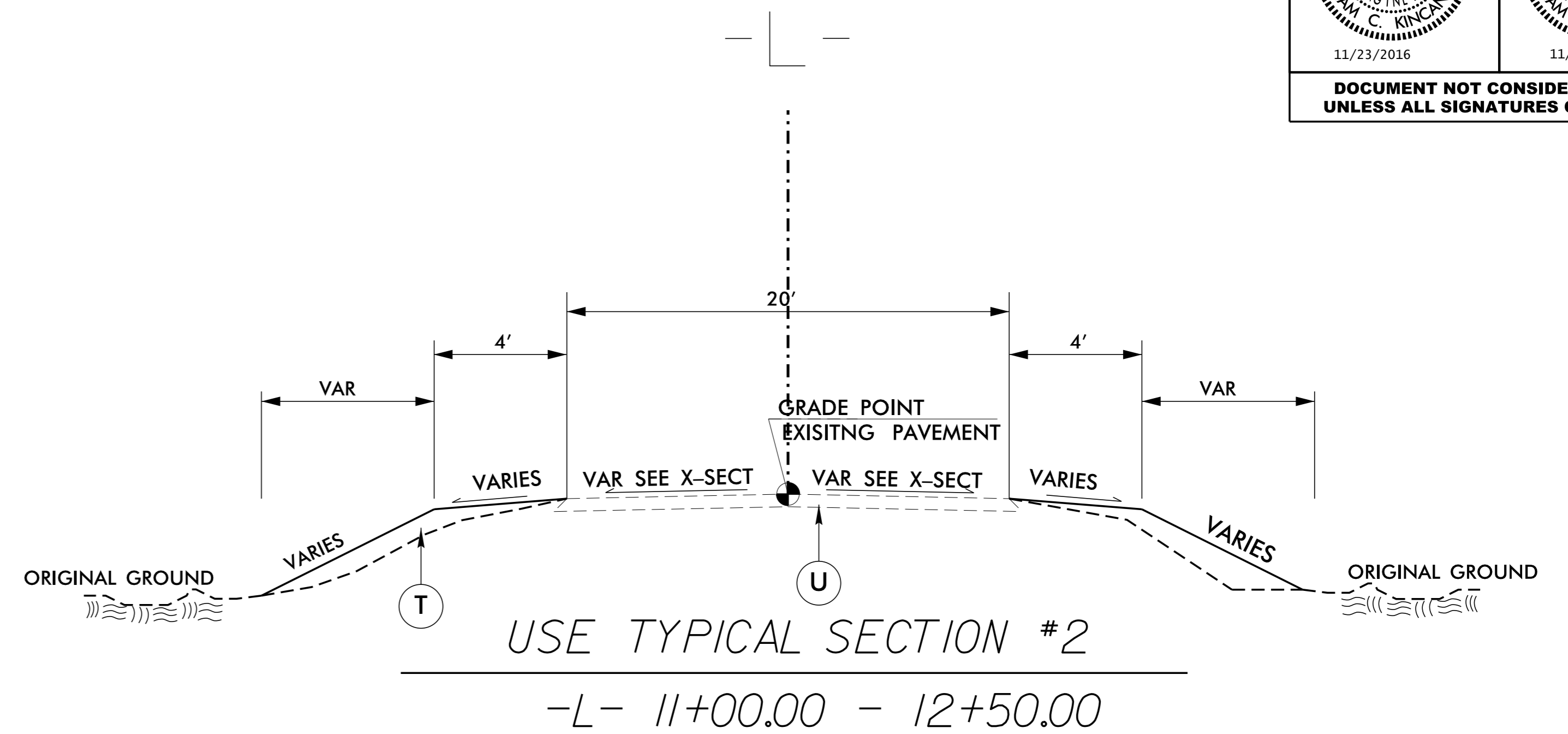
Sanitary Sewer Manhole	⊕
Sanitary Sewer Cleanout	⊕
U/G Sanitary Sewer Line	----- SS
Above Ground Sanitary Sewer	----- A/G Sanitary Sewer
SS Forced Main Line LOS B (S.U.E.*)	----- FSS
SS Forced Main Line LOS C (S.U.E.*)	----- FSS
SS Forced Main Line LOS D (S.U.E.*)	----- FSS

MISCELLANEOUS:

Utility Pole	●
Utility Pole with Base	□
Utility Located Object	○
Utility Traffic Signal Box	⊠
Utility Unknown U/G Line LOS B (S.U.E.*)	----- ?U/L
U/G Tank; Water, Gas, Oil	□
Underground Storage Tank, Approx. Loc.	⊕
A/G Tank; Water, Gas, Oil	□
Geoenvironmental Boring	⊕
U/G Test Hole LOS A (S.U.E.*)	⊕
Abandoned According to Utility Records	AATUR
End of Information	E.O.I.

C1	PROP. APPROX. 2" ASPHALT CONCRETE SURFACE COURSE, TYPE SF9.5A, AT AN AVERAGE RATE OF 165 LBS. PER SQ.YD.
D1	PROP. APPROX. 3" ASPHALT CONCRETE INTERMEDIATE COURSE, TYPE I19.0B, AT AN AVERAGE RATE OF 342 LBS. PER SQ. YD.
E1	PROP. APPROX. 5" ASPHALT CONCRETE BASE COURSE, TYPE B25.0B, AT AN AVERAGE RATE OF 570 LBS. PER SQ. YD.
T	EARTH MATERIAL.
U	EXISTING PAVEMENT.
V	FILTER FABRIC
Y	#57 WASHED STONE

NOTE: PAVEMENT EDGE SLOPES ARE 1:1 UNLESS SHOWN OTHERWISE.



STATE OF NORTH CAROLINA
DIVISION OF HIGHWAYS
SUMMARY OF QUANTITIES

ITEM	SECT	QUANTITY	UNIT	ITEM DESCRIPTION
1	800	1	LS	MOBILIZATION
2	801	1	LS	CONSTRUCTION SURVEYING
3	226	60	CY	UNCLASSIFIED EXCAVATION
4	250	340	SY	REMOVAL OF EXISTING ASPHALT PAVEMENT
5	265	1010	CY	SELECT GRANULAR MATERIAL
6	412	600	CY	UNCLASSIFIED STRUCTURE EXCAVATION -L- STATION 11+91.50
7	520	310	TON	*57 STONE
8	610	100	TON	ASPHALT CONC BASE COURSE,TYPE B25.0B
9	610	60	TON	ASPHALT CONC INTERMEDIATE COURSE,TYPE 119.0B
10	610	40	TON	ASPHALT CONC SURFACE COURSE,TYPE SF9.5A
11	620	15	TON	ASPHALT BINDER FOR PLANT MIX
12	876	500	SY	GEOTEXTILE FOR DRAINAGE
13	1605	350	LF	TEMPORARY SILT FENCE
14	1605	150	LF	SAFETY FENCE
15	1610	5	TON	STONE FOR EROSION CONTROL,CLASS B
16	1610	10	TON	SEDIMENT CONTROL STONE
17	1620	50	LB	SEED FOR TEMPORARY SEEDING
18	1620	0.20	TON	FERTILIZER FOR TEMPORARY SEEDING
19	1632	70	LF	1/4" HARDWARE CLOTH
20	1660	1	ACRE	SEEDING AND MULCHING
21	1661	50	LB	SEED FOR REPAIR SEEDING
22	1661	0.2	TON	FERTILIZER FOR REPAIR SEEDING
24	SP	50	LF	WATTLE
25	SP	2	LB	POLYACRYLAMIDE (PAM)
26	SP	1	LS	INSTALL NCDOT SUPPLIED 13" X 8" SPAP -L- STATION 11+91.50
27	SP	140	LF	IMPERVIOUS DIKE
28	SP	3	EA	RESPONSE FOR EROSION CONTROL
29	SP	1	LS	DEWATERING

REVISIONS

8/17/99

23-NOV-2016 11:40 AM C:\DOT\PROJECTS\FALLING\fallingcreek_psh3.dgn

STATE OF NORTH CAROLINA
DIVISION OF HIGHWAYS

LIST OF PIPES, ENDWALLS, ETC.

STATION	LOCATION (L, RT, OR CL)	STRUCTURE NO.		TOP ELEVATION	INVERT ELEVATION	INVERT ELEVATION	SLOPE CRITICAL	PIPE SIZE													REMARKS										
		FROM	TO					15"	18"	24"	30"	36"	42"	48"	54"	60"	66"	72"	78"	18"		13'1" X 8'4" SPAP									
-L- 11+91.50	CL	1			53.80	53.80	0.0%																				60'				
TOTALS																															

NOTE: Invert Elevations are for Bid Purposes only and shall not be used for project construction stakeout.
See "Standard Specifications For Roads and Structures, Section 300-5".

**SUMMARY OF EARTHWORK
IN CUBIC YARDS**

LOCATION	UNCLASSIFIED EXCAVATION	STRUCTURE EXCAVATION	UNDERCUT	EMBT + %	BORROW	WASTE
-L- 11+00.00 - 12+50.00	58	598	0	1442	886	100
UNDERCUT (CONTINGENCY)			100	120	120	100
SUB TOTAL	58	598	100	1562	1006	200
SAY	60	600	100	1560	1010	200

**PAVEMENT REMOVAL SUMMARY
IN SQUARE YARDS**

LINE	STATION - STATION	LOCATION	REMOVAL (SY)
-L-	11+00.00 - 12+50.00	CL	333
TOTAL			333
SAY			340

NOTE:
APPROXIMATE QUANTITIES ONLY. UNCLASSIFIED EXCAVATION, UNCLASSIFIED STRUCTURE EXCAVATION, BORROW EXCAVATION, FINE GRADING, CLEARING AND GRUBBING AND REMOVAL OF EXISTING PAVEMENT.

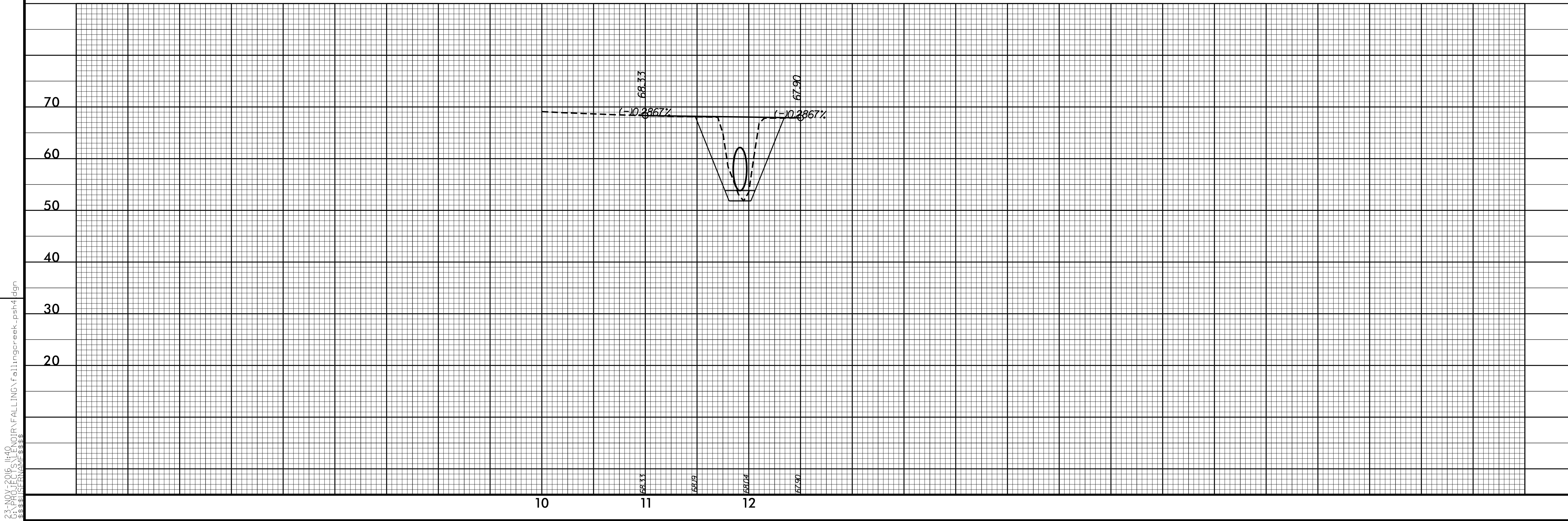
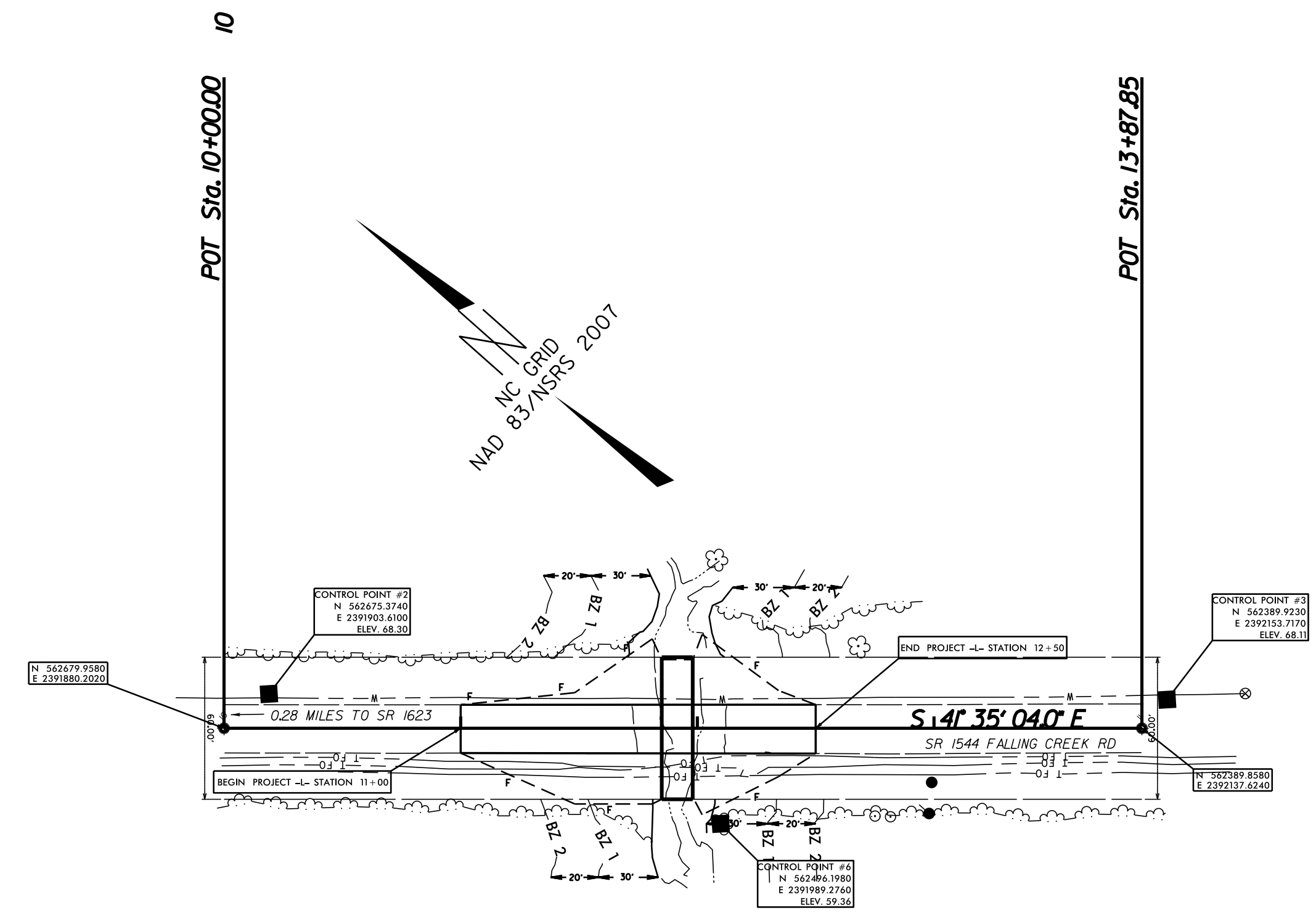
REVISIONS

8/17/99

23-NOV-2016 11:40 AM I:\PROJECTS\2016\11-23-16\FALLING\falling.dgn

8/17/99

REVISIONS



23-NOV-2016 11:40:10 I:\P\1544 FALLING CREEK\fallingcreek_psh4.dgn
 9:58:51 USER:WKS

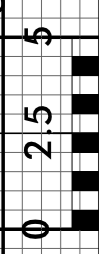
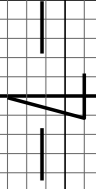
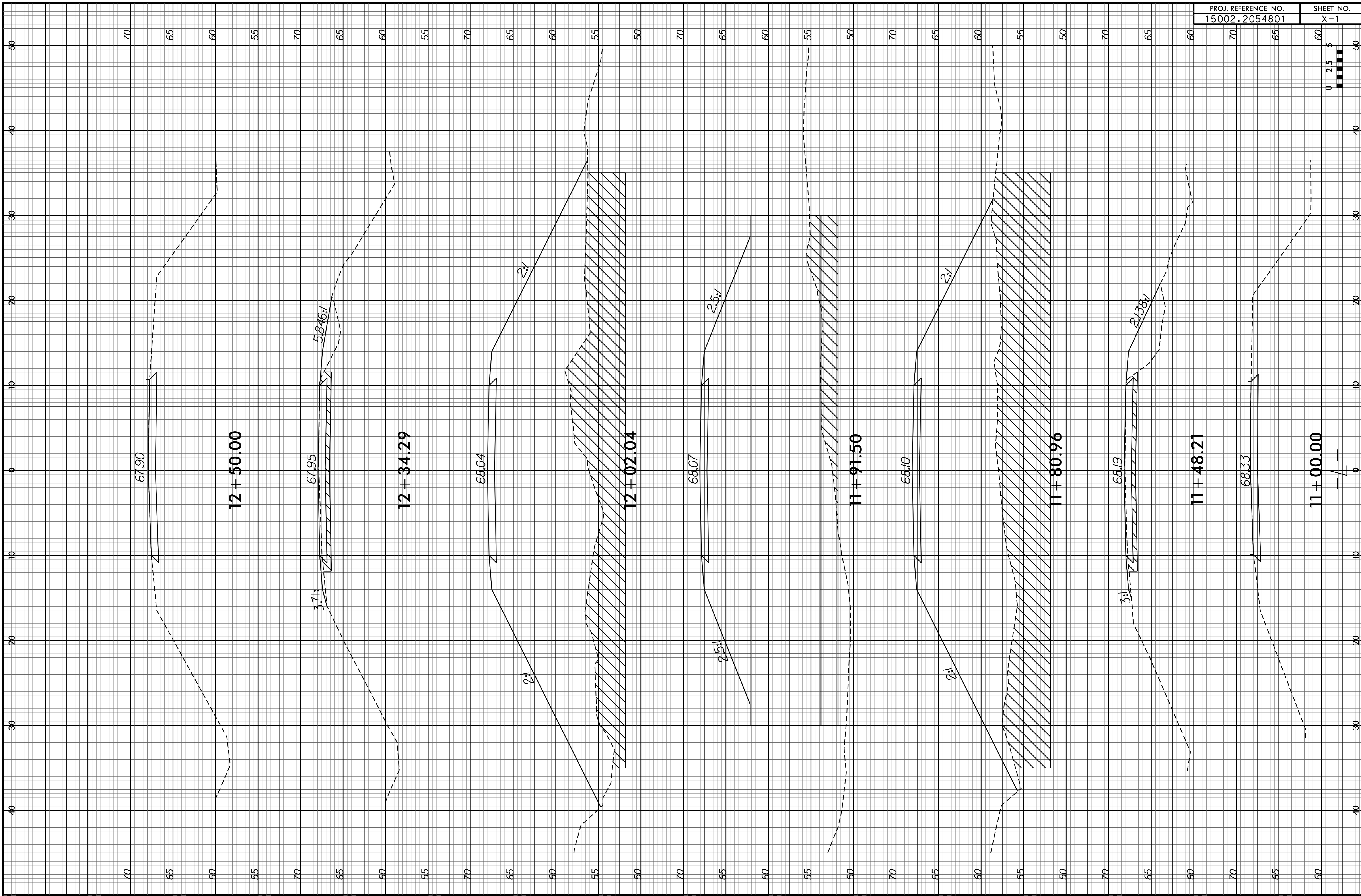
STATE OF NORTH CAROLINA
DIVISION OF HIGHWAYS
CROSS-SECTION SUMMARY
IN CUBIC YARDS

LOCATION (-L-)	UNCLASSIFIED EXCAVATION	UNDERCUT	EMBANKMENT	STRUCTURE EXCAVATION
<i>11+00.00</i>	<i>0</i>	<i>0</i>	<i>0</i>	<i>0</i>
<i>11+48.21</i>	<i>30</i>	<i>0</i>	<i>26</i>	<i>0</i>
<i>11+80.96</i>	<i>9</i>	<i>0</i>	<i>369</i>	<i>248</i>
<i>11+91.50</i>	<i>0</i>	<i>0</i>	<i>298</i>	<i>91</i>
<i>12+02.04</i>	<i>0</i>	<i>0</i>	<i>321</i>	<i>72</i>
<i>12+34.29</i>	<i>9</i>	<i>0</i>	<i>424</i>	<i>187</i>
<i>12+50.00</i>	<i>10</i>	<i>0</i>	<i>0</i>	<i>0</i>

NOTE: EMBANKMENT COLUMN DOES NOT INCLUDE BACKFILL FOR UNDERCUT.

NOTE:

APPROXIMATE QUANTITIES ONLY. UNCLASSIFIED EXCAVATION,
UNCLASSIFIED STRUCTURE EXCAVATION, BORROW EXCAVATION,
FINE GRADING, CLEARING AND GRUBBING AND REMOVAL OF
EXISTING PAVEMENT.



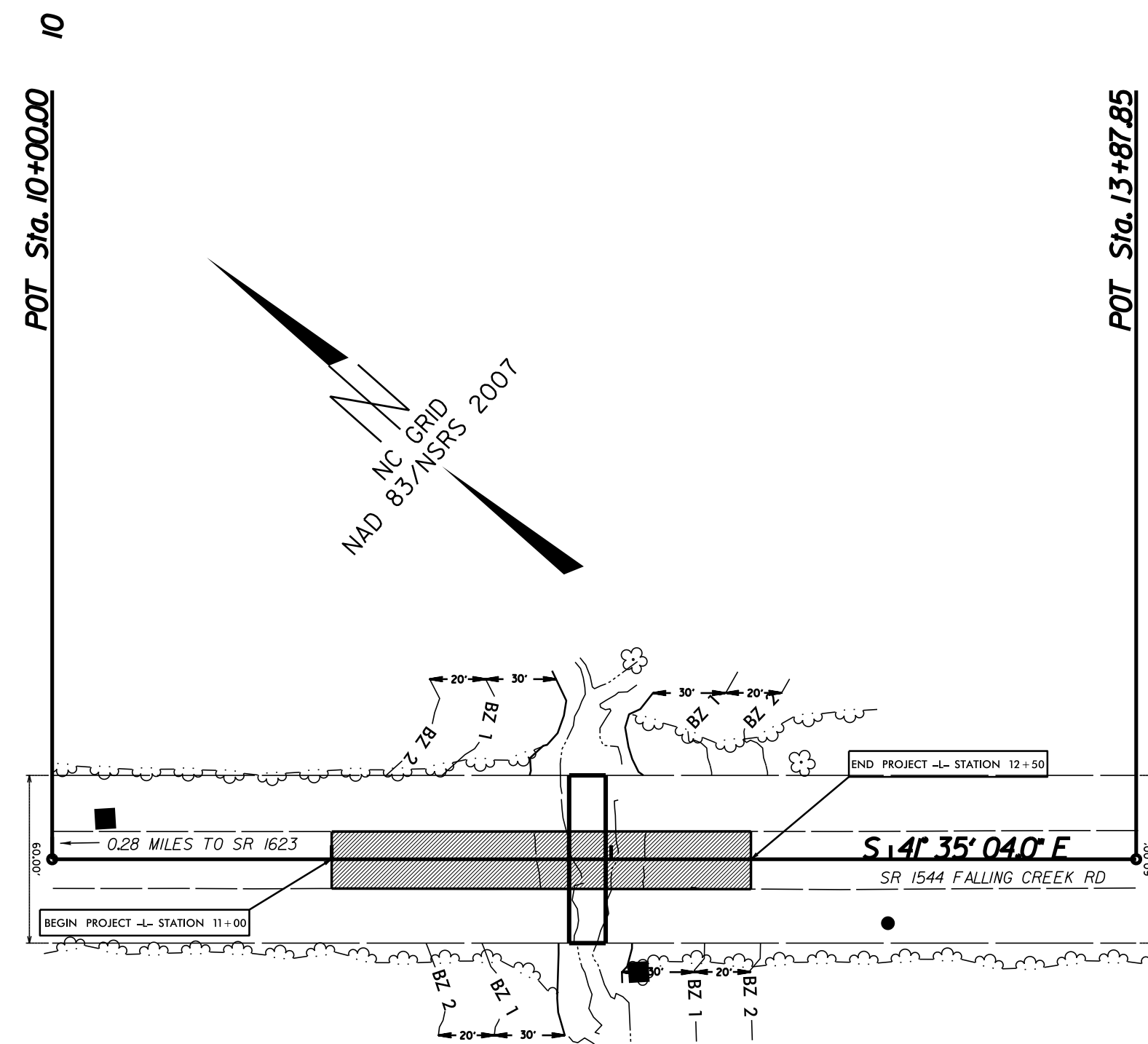
PROJECT: DF15002.2054801

STATE OF NORTH CAROLINA
 DIVISION OF HIGHWAYS
 PLAN FOR PROPOSED
 HIGHWAY EROSION CONTROL

STATE	STATE PROJECT REFERENCE NO.	SHEET NO.	TOTAL SHEETS
N.C.	DF15002.2054801	EC-1	4
STATE PROJ. NO.	F.A. PROJ. NO.	DESCRIPTION	

EROSION AND SEDIMENT CONTROL MEASURES

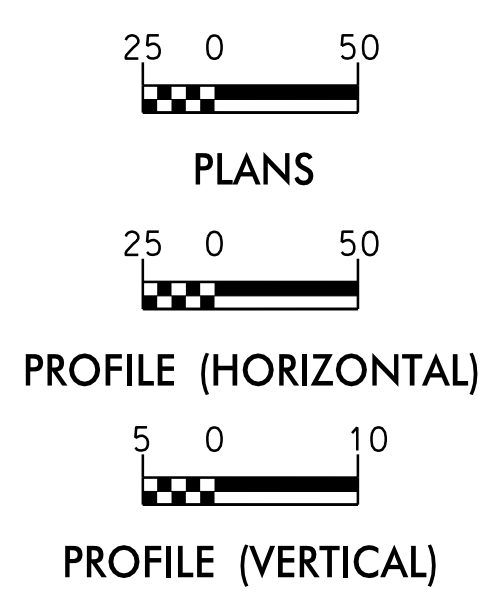
Std. #	Description	Symbol
1630.03	Temporary Silt Ditch	TD
1630.05	Temporary Diversion	TD
1605.01	Temporary Silt Fence	III III III
1606.01	Special Sediment Control Fence	△△△△△
1622.01	Temporary Berms and Slope Drains	— T —
1630.02	Silt Basin Type B	▨
1633.01	Temporary Rock Silt Check Type-A	▩
	Temporary Rock Silt Check Type-A with Matting and Polyacrylamide (PAM)	▩
1633.02	Temporary Rock Silt Check Type-B	▩
	Wattle / Coir Fiber Wattle	— W —
	Wattle / Coir Fiber Wattle with Polyacrylamide (PAM)	— W —
1634.01	Temporary Rock Sediment Dam Type-A	▩
1634.02	Temporary Rock Sediment Dam Type-B	▩
1635.01	Rock Pipe Inlet Sediment Trap Type-A	⊓
1635.02	Rock Pipe Inlet Sediment Trap Type-B	⊓
1630.04	Stilling Basin	▭
1630.06	Special Stilling Basin	▭
	Rock Inlet Sediment Trap:	
1632.01	Type A	A
1632.02	Type B	B
1632.03	Type C	C
	Skimmer Basin	▭
	Tiered Skimmer Basin	▭
	Infiltration Basin	▭



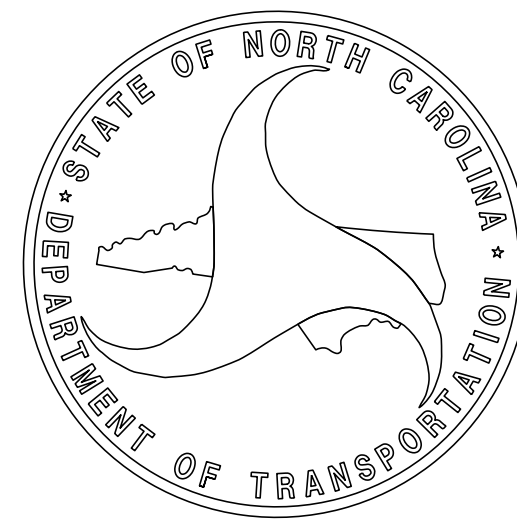
THIS PROJECT CONTAINS EROSION CONTROL PLANS FOR CLEARING AND GRUBBING PHASE OF CONSTRUCTION.

ENVIRONMENTALLY SENSITIVE AREA(S) EXIST ON THIS PROJECT
 Refer To E. C. Special Provisions for Special Considerations.

GRAPHIC SCALE



ROADSIDE ENVIRONMENTAL UNIT
 DIVISION OF HIGHWAYS
 STATE OF NORTH CAROLINA



THESE EROSION AND SEDIMENT CONTROL PLANS COMPLY WITH THE REGULATIONS SET FORTH BY THE NCG-010000 GENERAL CONSTRUCTION PERMIT EFFECTIVE AUGUST 3, 2011 ISSUED BY THE NORTH CAROLINA DEPARTMENT OF ENVIRONMENT AND NATURAL RESOURCES DIVISION OF WATER QUALITY.

Prepared in the Office of:
DIVISION 2 DDC
 1701 West Fifth Street.
 Washington, NC 27889
2012 STANDARD SPECIFICATIONS
 Designed by:
TIMOTHY PINKHAM 3510
 NAME LEVEL III CERTIFICATION NO.

Roadway Standard Drawings

The following roadway english standards as appear in "Roadway Standard Drawings"- Roadway Design Unit - N. C. Department of Transportation - Raleigh, N. C., dated January 2012 and the latest revision thereto are applicable to this project and by reference hereby are considered a part of these plans.

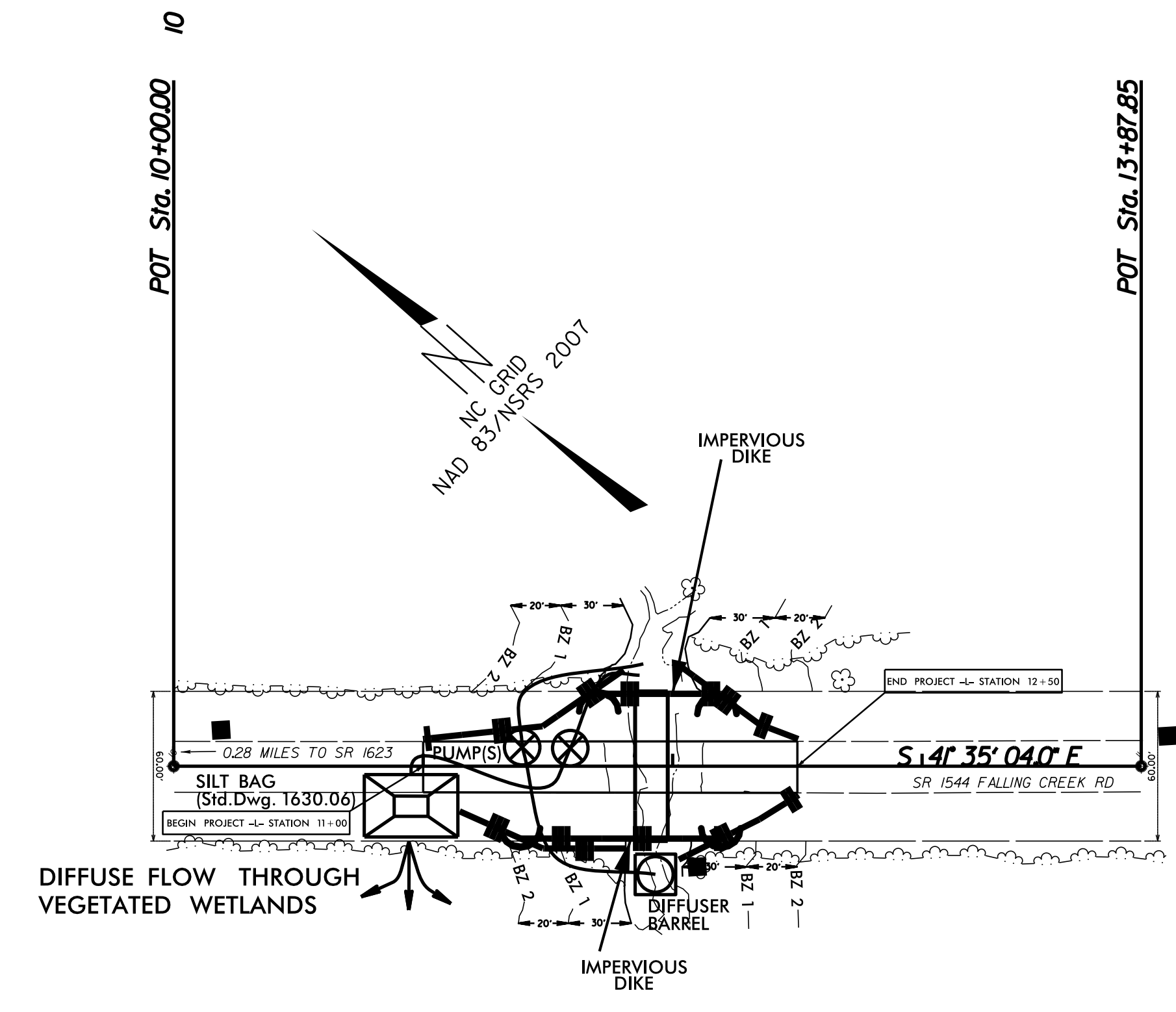
1604.01 Railroad Erosion Control Detail	1632.01 Rock Inlet Sediment Trap Type A
1605.01 Temporary Silt Fence	1632.02 Rock Inlet Sediment Trap Type B
1606.01 Special Sediment Control Fence	1632.03 Rock Inlet Sediment Trap Type C
1607.01 Gravel Construction Entrance	1633.01 Temporary Rock Silt Check Type A
1622.01 Temporary Berms and Slope Drains	1633.02 Temporary Rock Silt Check Type B
1630.01 Riser Basin	1634.01 Temporary Rock Sediment Dam Type A
1630.02 Silt Basin Type B	1634.02 Temporary Rock Sediment Dam Type B
1630.03 Temporary Silt Ditch	1635.01 Rock Pipe Inlet Sediment Trap Type A
1630.04 Stilling Basin	1635.02 Rock Pipe Inlet Sediment Trap Type B
1630.05 Temporary Diversion	1640.01 Coir Fiber Baffle
1630.06 Special Stilling Basin	1645.01 Temporary Stream Crossing
1631.01 Matting Installation	

G:\PPR\22-NOV-2016_11456_1544 FALLING CREEK.ec1.dgn

8/17/99

REVISIONS

22-NOV-2016 17:56 D:\P\FALLING\FALLING\Fallingcreek_ec2.dgn
 3384152701001



POT Sta. 10+00.00 10

POT Sta. 13+87.85

0.28 MILES TO SR 1623
 SR 1544 FALLING CREEK RD

S 41° 35' 04.0\"/>

DIFFUSE FLOW THROUGH
 VEGETATED WETLANDS

NAD 83/NAD83 2007

IMPERVIOUS
 DIKE

IMPERVIOUS
 DIKE

SILT BAG
 (Std. Dwg. 1630.06)

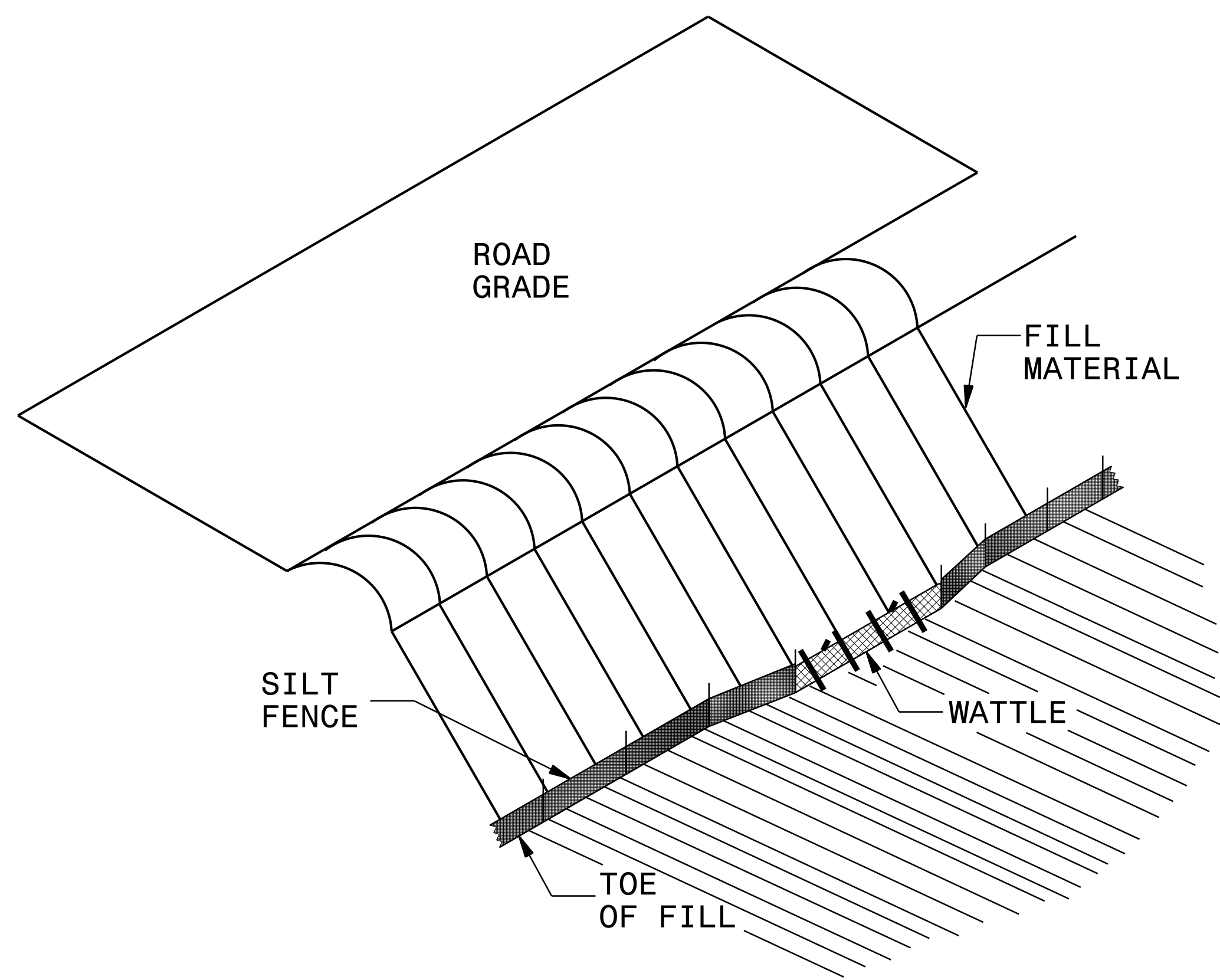
PUMP(S)

END PROJECT -- STATION 12+50

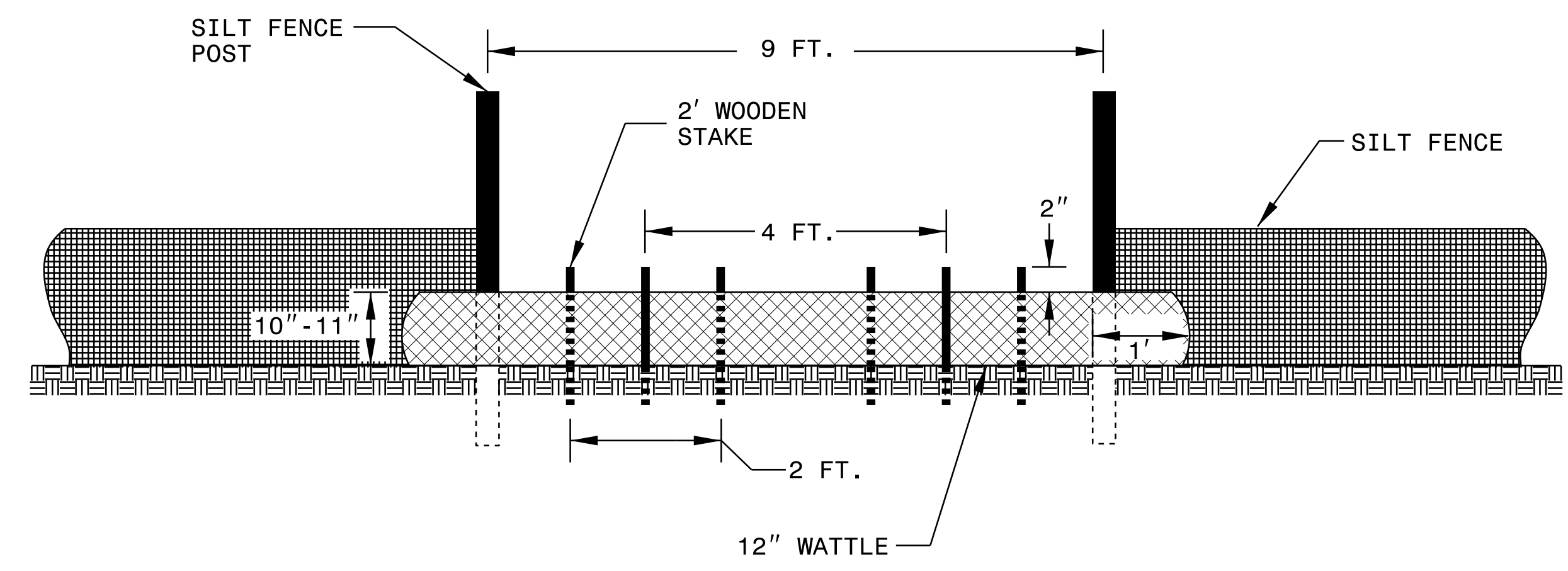
BEGIN PROJECT -- STATION 11+00

DIFFUSER
 BARREL

SILT FENCE COIR FIBER WATTLE BREAK DETAIL



ISOMETRIC VIEW

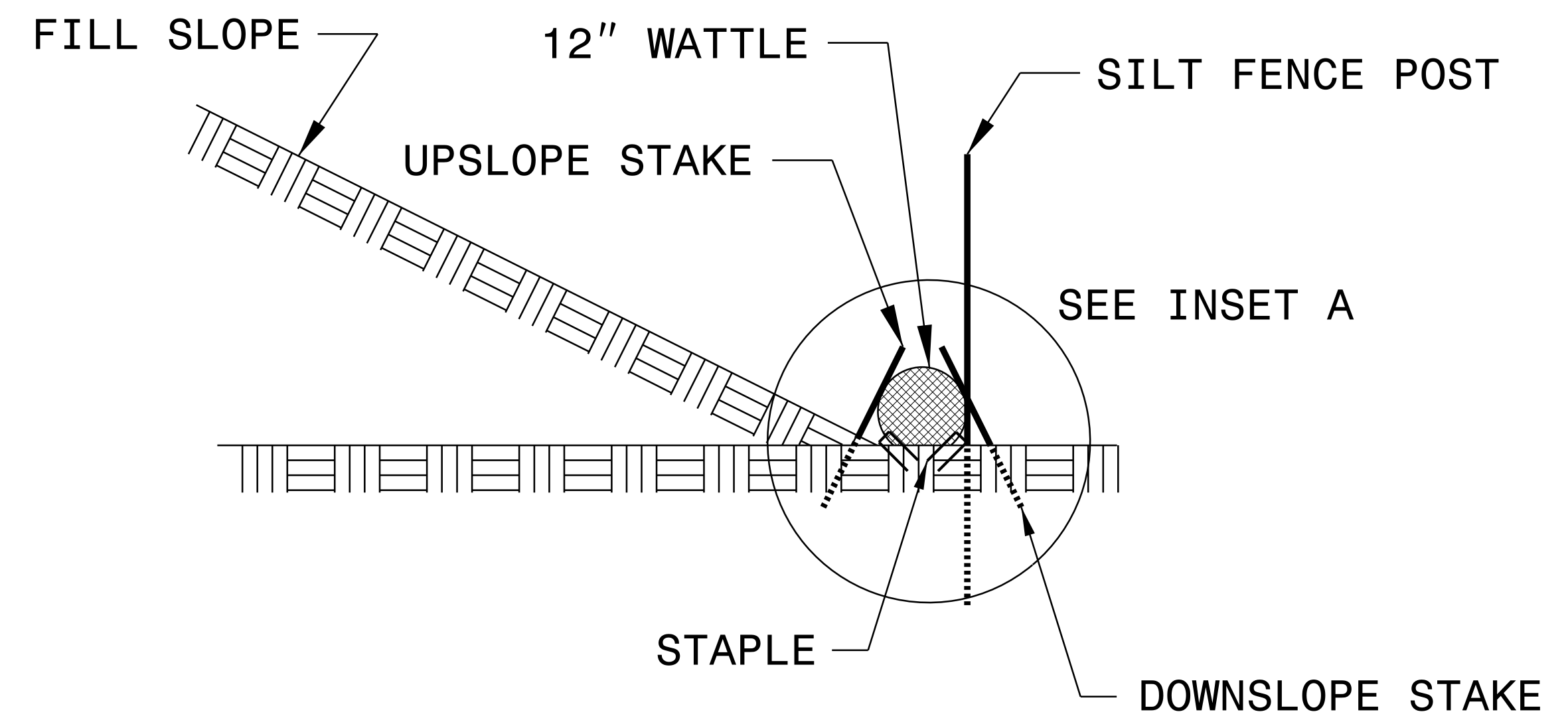
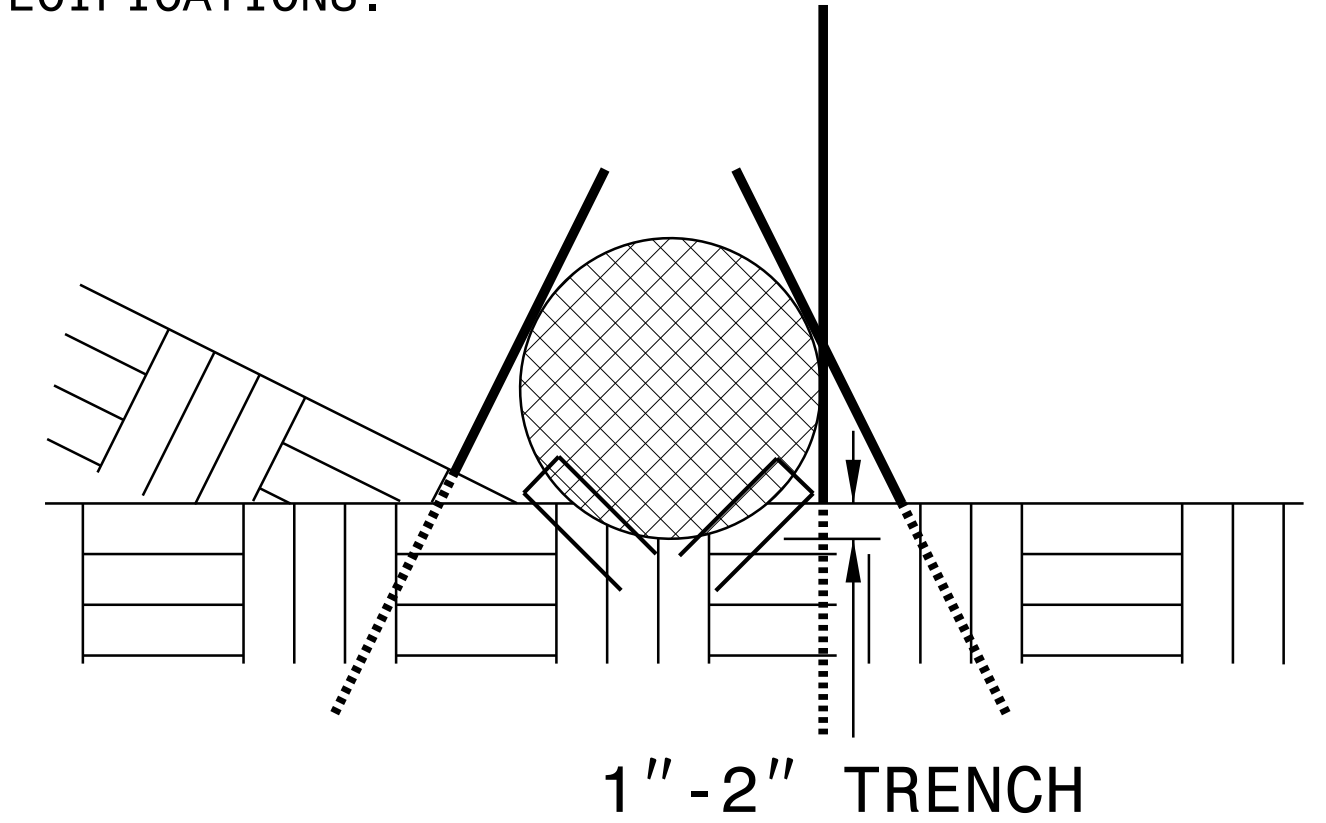


VIEW FROM SLOPE

NOTES:

- USE MINIMUM 12 IN. DIAMETER COIR FIBER (COCONUT FIBER) WATTLE AND LENGTH OF 10 FT.
- EXCAVATE A 1 TO 2 INCH TRENCH FOR WATTLE TO BE PLACED.
- DO NOT PLACE WATTLE ON TOE OF SLOPE.
- USE 2 FT. WOODEN STAKES WITH A 2 IN. BY 2 IN. NOMINAL CROSS SECTION.
- INSTALL A MINIMUM OF 2 UPSLOPE STAKES AND 4 DOWNSLOPE STAKES AT AN ANGLE TO WEDGE WATTLE TO GROUND.
- PROVIDE STAPLES MADE OF 0.125 IN. DIAMETER STEEL WIRE FORMED INTO A U SHAPE NOT LESS THAN 12" IN LENGTH.
- INSTALL STAPLES APPROXIMATELY EVERY 1 LINEAR FOOT ON BOTH SIDES OF WATTLE AND AT EACH END TO SECURE IT TO THE SOIL.
- WATTLE INSTALLATION CAN BE ON OUTSIDE OF THE SILT FENCE AS DIRECTED.
- INSTALL TEMPORARY SILT FENCE IN ACCORDANCE WITH SECTION 1605 OF THE STANDARD SPECIFICATIONS.

INSET A



SIDE VIEW

DIVISION OF HIGHWAYS
STATE OF NORTH CAROLINA

SOIL STABILIZATION TIMEFRAMES

<i>SITE DESCRIPTION</i>	<i>STABILIZATION TIME</i>	<i>TIMEFRAME EXCEPTIONS</i>
PERIMETER DIKES, SWALES, DITCHES AND SLOPES	7 DAYS	NONE
HIGH QUALITY WATER (HQW) ZONES	7 DAYS	NONE
SLOPES STEEPER THAN 3:1	7 DAYS	IF SLOPES ARE 10' OR LESS IN LENGTH AND ARE NOT STEEPER THAN 2:1, 14 DAYS ARE ALLOWED.
SLOPES 3:1 OR FLATTER	14 DAYS	7 DAYS FOR SLOPES GREATER THAN 50' IN LENGTH.
ALL OTHER AREAS WITH SLOPES FLATTER THAN 4:1	14 DAYS	NONE, EXCEPT FOR PERIMETERS AND HQW ZONES.